

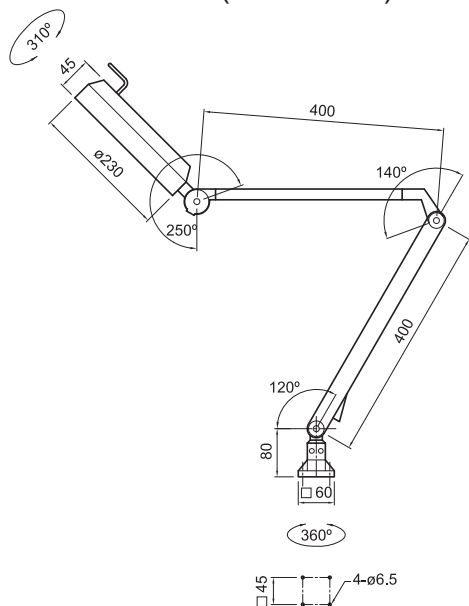
# Part No. ML320-LED

## Maggylamp LED-14 Magnifying Light Data Sheet

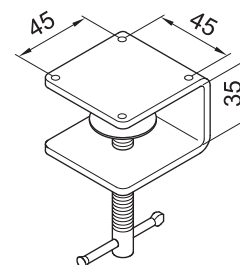
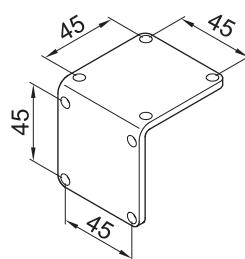


<b>Fitted with</b>	LED Circular PCB
<b>Work equipment</b>	Integrated Driver
<b>Connected load</b>	240V AC 50/60Hz
<b>Power consumption</b>	approx. 14 Watt
<b>Light output</b>	1800 lumen
<b>System of protection</b>	IP 20
<b>Class of protection</b>	I
<b>Operation</b>	switch on arm
<b>Lamp body</b>	aluminium
<b>Lamp cover</b>	PC white pearl diffuser
<b>Arm section</b>	articulated aluminium tube arms, anodised grey
<b>Base housing</b>	cast aluminium, anodised grey
<b>Weight</b>	approx. 3kg
<b>Power lead</b>	approx. 1.8; mains plug AUS/NZ
<b>Fastening</b>	screw down flange, table clamp (included)
<b>Accessory</b>	wall bracket (accessory)
<b>Special features</b>	2.25x (5 Diopter) magnification, 6000K colour temperature, dimmable
<b>Package dimensions</b>	L66 x W33 x H12cm

### DIMENSIONS (Millimetres)



### ACCESSORIES



MOUNTING CLAMP ML311  
MOUNTING ANGLE PLATE ML137

Data may vary due to component tolerances.  
E & OE

PH:1300 788 239  
[www.redbank.net.au](http://www.redbank.net.au)  
©9.2018 Redbank Group



SURGICAL AND MEDICAL SUPPLIES PTY LTD  
16 Kensington Road Rose Park SA 5067  
Telephone: (08) 8332 1666 Fax: (08) 8332 5132  
Email: [sales@surmed.com.au](mailto:sales@surmed.com.au)  
Website: [www.surmed.com.au](http://www.surmed.com.au)

**MAGGYLAMP**<sup>®</sup>  
lighting