

NEW

MaggyScan

Portable Maggylamp



A New Horizon

MaggyScan Portable Maggylamp

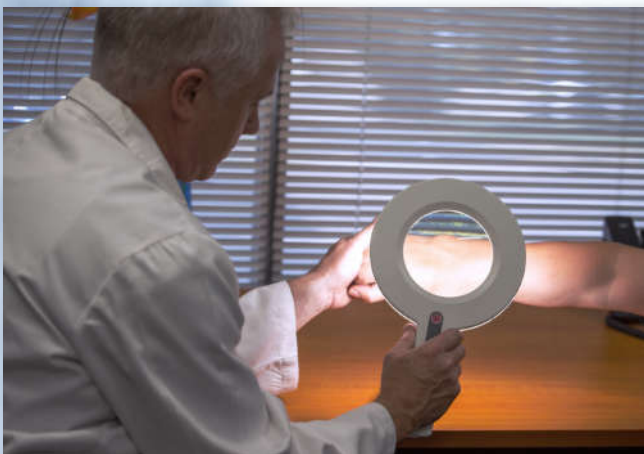
We've heard from medical professionals across the country, and have joined forces with Australian designers and manufacturers to bring you the MaggyScan Portable Maggylamp.

With a cordless operation, user-tested intuitive design, and 2.5 hour run time, this is the perfect inspection tool to supplement your everyday medical procedures.

- No more tangled cords
- Recharges as soon as placed in wall dock
- 2.5 hour continuous run time
- Convenient wall charging dock
- Brighter than the current LED Maggylamp, 6000lux @ 25cm
- 125mm glass lens, 2x magnification
- Wall mounting fixtures included

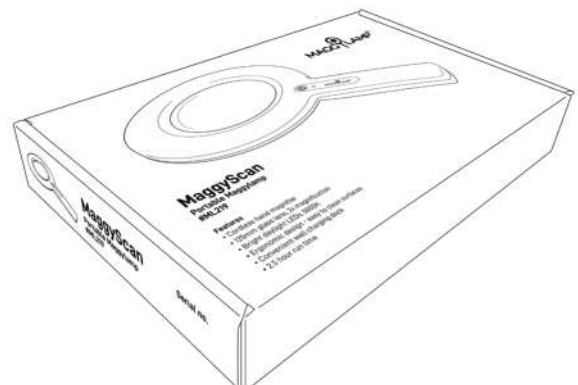
#ML 219 MaggyScan Portable Maggylamp

[Watch the video here](#)



Ideal for skin inspection

Well-protected, reusable packaging



Manufactured in Australia by

RedbankGroup
For a clearer tomorrow

Supplied in SA by

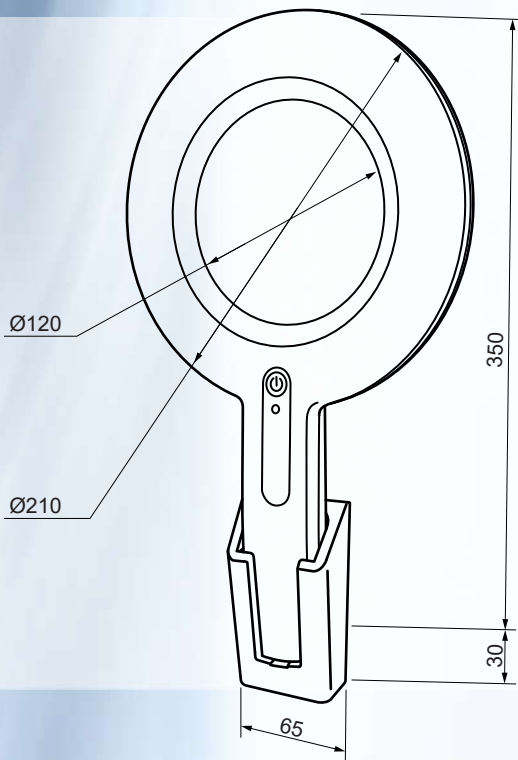


SURGICAL & MEDICAL SUPPLIES PTY LTD

Specifications



Fitted with	50 x Osram LED chips
CRI	>85
Colour temperature	5000K
Light output	6000lux @ 25cm
Focal length	Optimum 25cm
Magnification	4 dioptre, 2x
Power supply	240VAC dedicated Li-Ion charger
Weight net	660g
Weight carton	1kg
Package dimensions (mm)	L400 x W250 x H60



Optional Carry Case (ML277) with 12V Car Charger (ML270)

Manufactured in Australia by

RedbankGroup
For a clearer tomorrow



SURGICAL AND MEDICAL SUPPLIES PTY LTD
16 Kensington Road Rose Park SA 5067
Telephone: (08) 8332 1666 Fax: (08) 8332 5132
Email: sales@surmed.com.au
Website: www.surmed.com.au