

# Part No. ML215

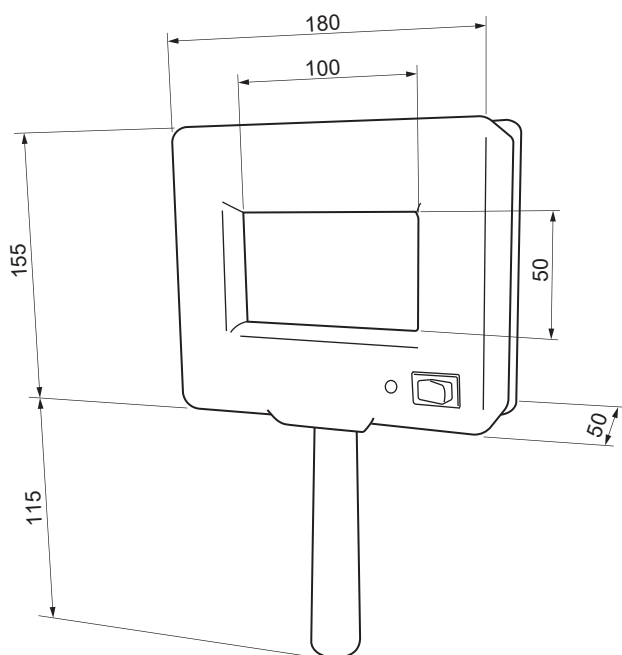
## Handheld UV Maggylamp Data Sheet

---



<b>Fitted with</b>	4 x 4 Watt UV light
<b>UV Wavelength</b>	black light blue, 365nm
<b>Lens</b>	biconvex glass, rectangular 100 x 50mm
<b>Magnification</b>	2.25 x, 5 dioptre
<b>Lamp shade</b>	ABS plastic
<b>Handle housing</b>	ABS plastic
<b>Accessory</b>	protective acrylic cover (included)
<b>Power lead</b>	1.8m, AUS/NZ plug
<b>Connected load</b>	240V AC 50/60 Hz
<b>Power consumption</b>	approx. 16 Watt
<b>Weight net</b>	0.8kg
<b>Weight carton</b>	2kg
<b>Package dimensions</b>	L34 x W28 x H14cm

### DIMENSIONS (Millimetres)



---

Data may vary due to component tolerances.  
E & OE

PH:1300 788 239  
[www.redbank.net.au](http://www.redbank.net.au)  
©07.2017 Redbank Group



SURGICAL AND MEDICAL SUPPLIES PTY LTD  
16 Kensington Road Rose Park SA 5067  
Telephone: (08) 8332 1666 Fax: (08) 8332 5132  
Email: [sales@surmed.com.au](mailto:sales@surmed.com.au)  
Website: [www.surmed.com.au](http://www.surmed.com.au)

**MAGGYLAMP**<sup>®</sup>  
lighting